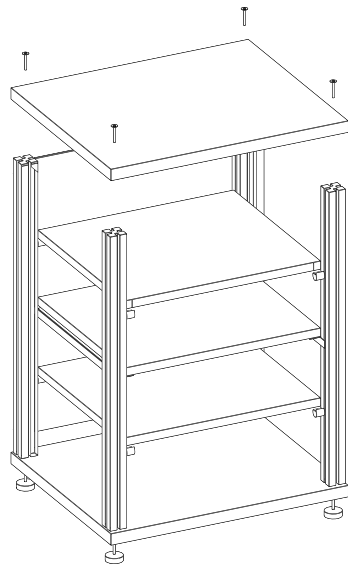
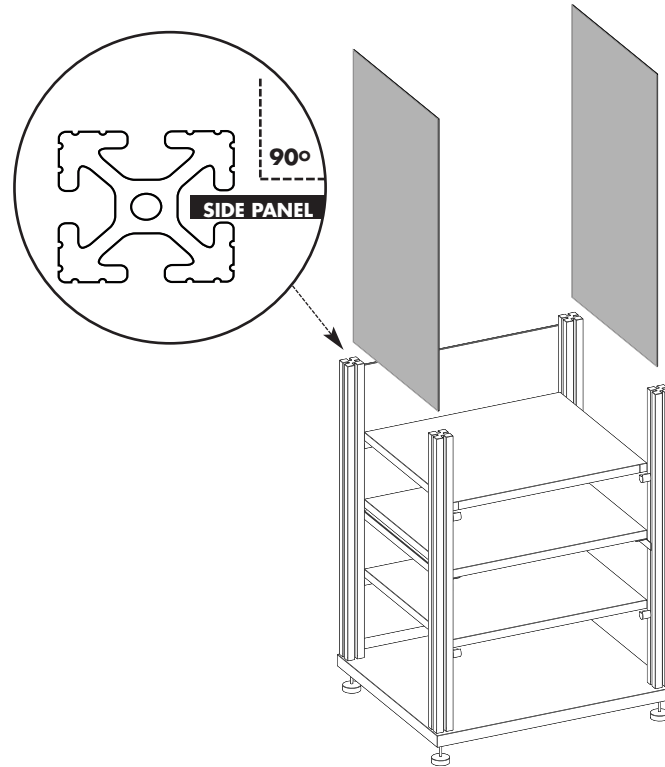


SYNERGY SIDE PANELS - SS/10, SS/20, SS/30, SS/40



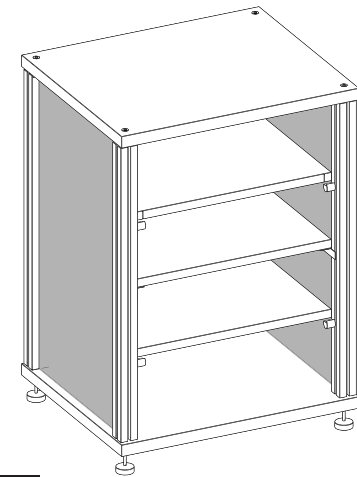
1 Remove Bolts

If you have a previously assembled unit remove the four connector bolts securing the top shelf and set aside.



2 Insert Side Panels

Slowly slide side panels down center channel. Lightly push the panels toward the inside of the unit to prevent scratching the visible side.



3 Replace Top Shelf

Replace the top shelf securing it with the connector bolts you removed in Step 1.

Limited Warranty



For five full years Salamander Designs Ltd will repair or replace, at our option, any product defective in materials or craftsmanship. Salamander Designs Ltd. will not be responsible for any damage to or destruction of other equipment consequential to our equipment failure. Defective product must be given Return Authorization and is to be returned to the factory prepaid, in the original carton and packing material. Any damage incurred in a shipment not in original packaging shall be the responsibility of the owner. Warranty repairs will be returned prepaid, via UPS within the continental U.S.A. only.

Salamander Designs Ltd. 800-535-5659 • www.SalamanderDesigns.com